

ATEX Solenoid Valve Cabinet

for safe operations in hazardous areas

SVC EX-series

The Ex-Machinery SVC EX-series are specially designed for hazardous areas. The units are of rigid construction, enclosure in stainless steel grades 304 or 316. They allow reliable and explosion proof pneumatic equipment control in harsh environments.


Key Benefits:

- customized solutions
- easy to install
- quick delivery
- air service unit included
- first class components

Applications:

- dry bulk handling/food industry
- zone 21, 22
- pneumatic control of machinery
- chemical plants
- offshore
- oil and energy
- zone 1, 2
- dust & gas explosive areas

Contact our ATEX Consultant for technical advice.

 +31 78 65 49502



Equipment for Hazardous Areas

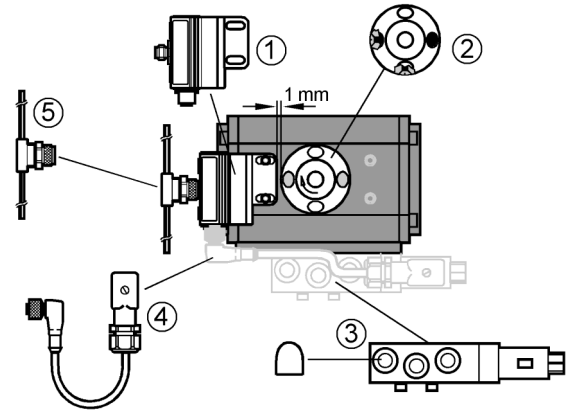


Specifications

ATEX SVC Ex-series

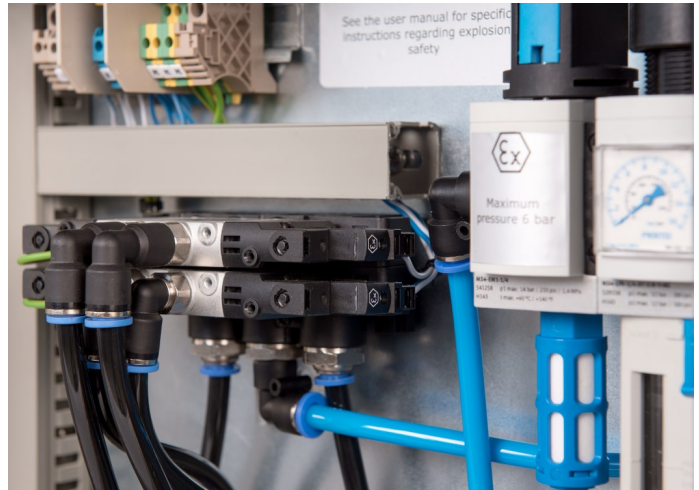
Technical data:

- Festo as standard other on request
- Spark free operation
- Constructional safety according to EN 13463-5
- Limited heat development of coils
- Standard explosion protection suitable for 3D ATEX zone 22, or 3G, ATEX zone 2.
- Enhanced explosion protection for 2D, ATEX zone 21 or 2G, ATEX zone 1.



Documentation:

- declaration of conformity
- additional type examination certificates for ATEX category 2/3GD
- instruction manual
- pneumatic diagram
- explosion safety instructions



| Type | Zones | Maximum number of valves | Dimensions LxWxH [mm] | Marking |
|---------------|-------|--------------------------|-----------------------|------------------------------|
| SVC-EX 3G-05 | 2 | 5 | 380 x 300 x 155 | II 3G c Ex nA T4 |
| SVC-EX 3G-15 | 2 | 15 | 600 x 600 x 210 | II 3G c Ex nA T4 |
| SVC-EX 3D-05 | 22 | 5 | 380 x 300 x 155 | II 3D c Ex tc T120 °C |
| SVC-EX 3D-15 | 22 | 15 | 600 x 600 x 210 | II 3D c Ex tc T120 °C |
| SVC-EX 2GD-05 | 1, 21 | 5 | 380 x 300 x 155 | II 2GD c Ex mb tb T4 T130 °C |
| SVC-EX 2GD-15 | 1, 21 | 15 | 600 x 600 x 210 | II 2GD c Ex mb tb T4 T130 °C |



Equipment for Hazardous Areas

